

# STREAMLINE® FLASH-DOWN SNAP-ON FASCIA SYSTEM

NON-PENETRATING TYPE FOR MODIFIED  
AND FULLY ADHERED SINGLE-PLY ROOFING



## FASCIA COVER

- \* .040"/.050" ALUMINUM,  
24 ga GALVANIZED STEEL
- \* FINISH PER SPECIFICATIONS

## CONCEALED SPLICE PLATE

- \* .032" ALUMINUM,  
24 ga GALVANIZED STEEL
- \* 4" WIDE

## ANCHOR CLEAT

- \* 24 ga STAINLESS STEEL

## CLEAT UNDER PLATE

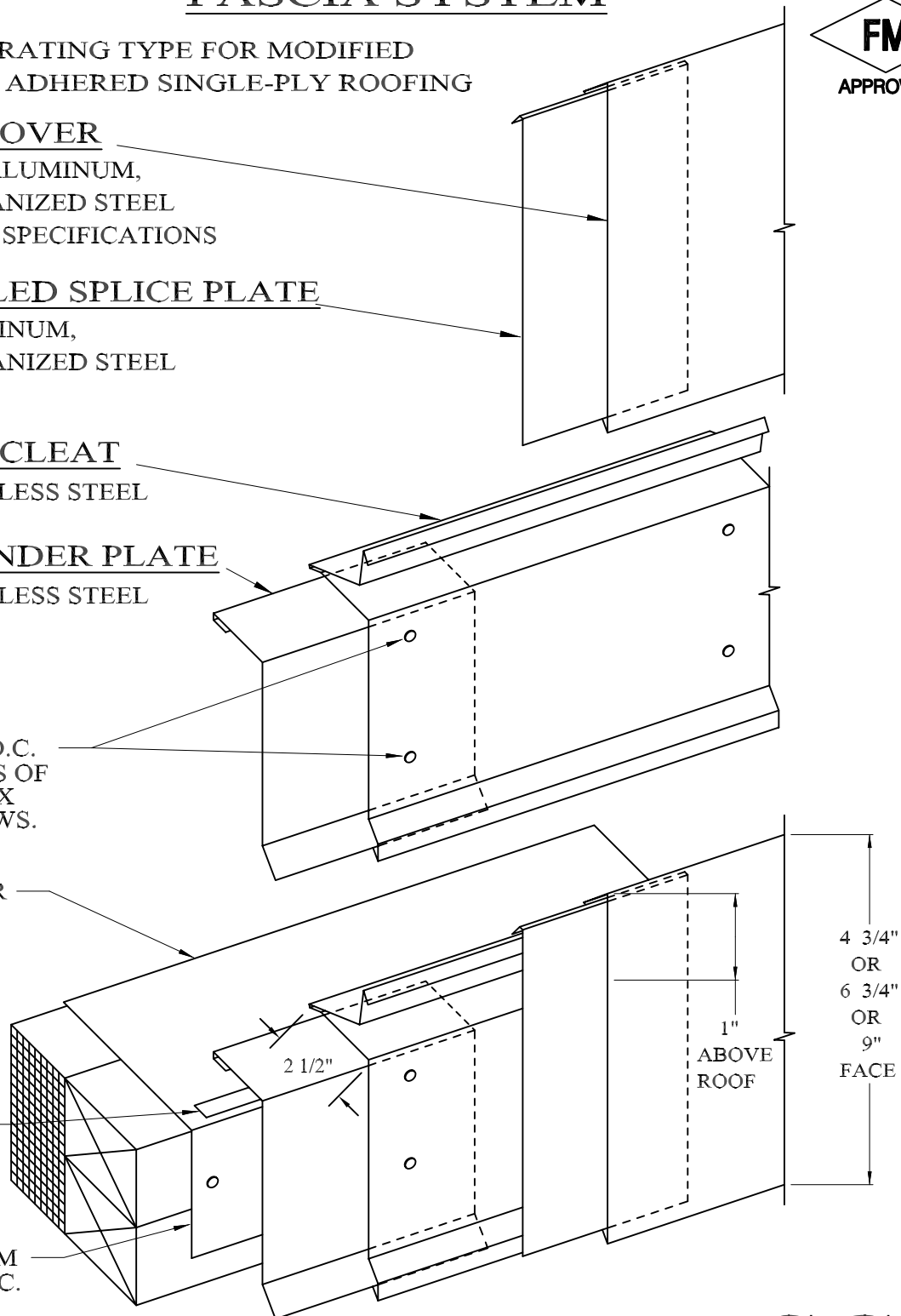
- \* .015" STAINLESS STEEL
- \* 6" WIDE

FASTEN 12" O.C.  
WITH 2 ROWS OF  
#9-16 X 1" HEX  
WOOD SCREWS.

MODIFIED OR  
SINGLE-PLY  
FLASHING  
STRIP

APPROVED  
SEALING  
MASTIC

ROOF SYSTEM  
NAILED 8" O.C.



### MATERIAL AVAILABILITY:

- \* .040" / .050" ALUMINUM  
KYNAR PAINTED / SP ENAMEL PAINTED / CLEAR ANODIZED
- \* 16 oz / 20 oz COLD ROLLED COPPER
- \* 16 oz / 20 oz LEAD COATED COPPER
- \* 24 ga / 26 ga TYPE 304-2D STAINLESS STEEL
- \* 24 ga / 26 ga TERNE COATED STAINLESS STEEL
- \* .8mm PRE-WEATHERED ZINC

# LITSCO

LITSCO INDUSTRIES LLC

EST. 1918

76-11 88th STREET, GLENDALE, N.Y. 11385

(718) 846-0400 FAX (718) 846-7803

WWW.LITSCO.COM