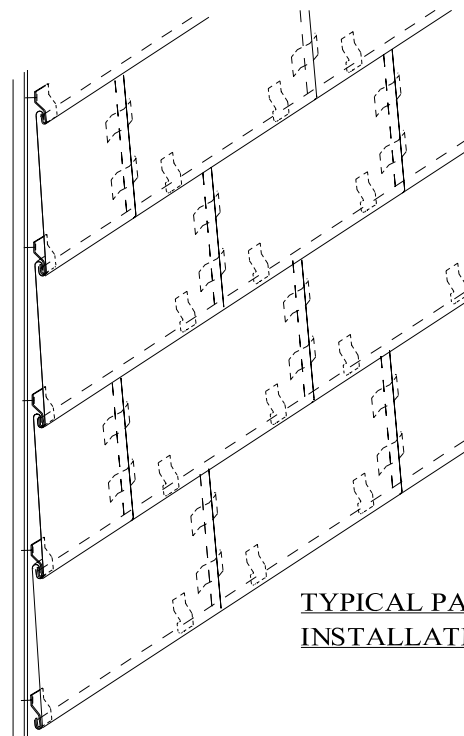
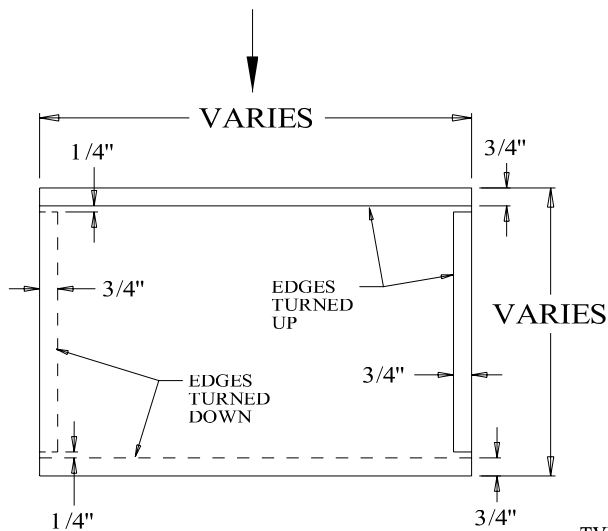
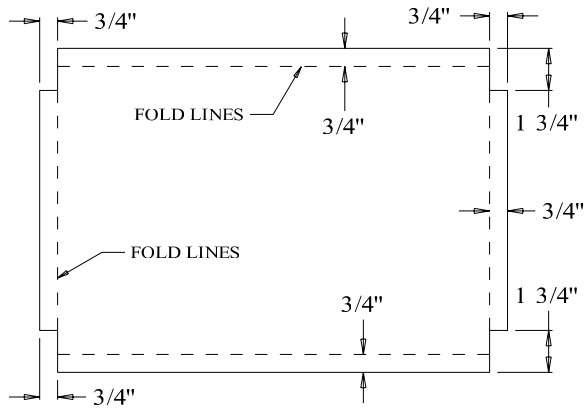
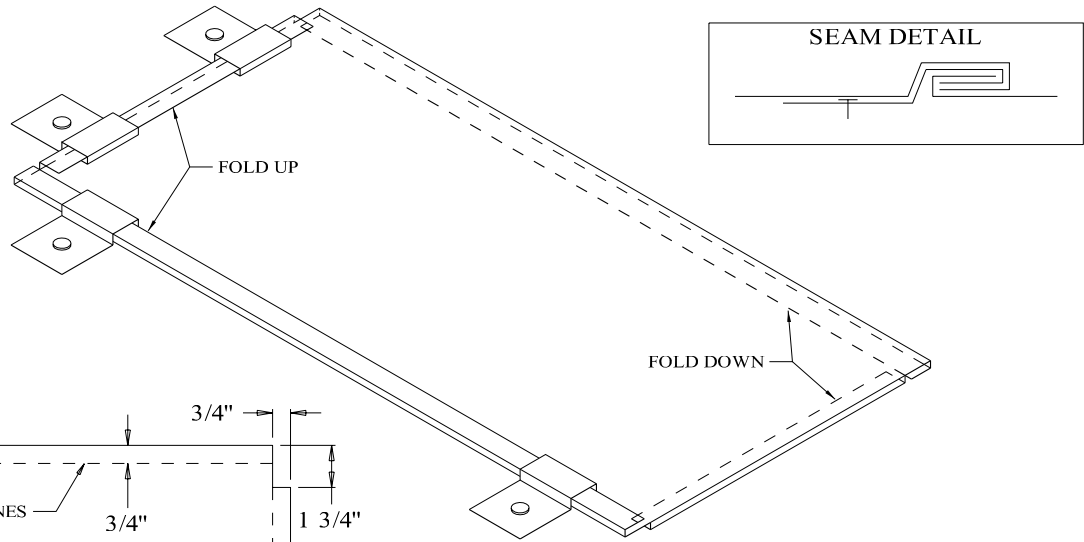


LITSCO FLAT SEAM FAÇADE PANELS



MATERIAL AVAILABILITY:

- * 16 oz / 20 oz COLD ROLLED COPPER
- * 16 oz / 20 oz LEAD COATED COPPER
- * .018" (26 ga) / .025" (24 ga) TYPE 304-2D STAINLESS STEEL UNPOLISHED
- * .015" (28 ga) / .018" (26 ga) TERNE COATED STAINLESS STEEL
- * .8mm / 1mm PRE-WEATHERED ZINC
- * .032" / .040" KYNAR PAINTED ALUMINUM
- * .032" / .040" BAKED ENAMEL ALUMINUM

TYPICAL STANDARD SIZES

COPPER / ST. STEEL / TCS	
10.5"	x 14.5"
16.5"	x 22.5"
22.5"	x 28.5"
ZINC	
11.5"	x 18"
18"	x 22.5"
18"	x 28.5"
ALUMINUM	
14.5"	x 14.5"
22.5"	x 18.5"
22.5"	x 28.5"

ADVANTAGES:

- * RANGE OF STANDARD SIZES
- * MAY BE INSTALLED WITH STAGGERED OR STRAIGHT LINE SEAMS
- * NO SOLDERING OR FLATTENING OF SEAMS REQUIRED IN FIELD

LITSCO

LONG ISLAND TINSMITH SUPPLY CORP.

EST. 1918

76-11 88th STREET, GLENDALE, N.Y. 11385

(718) 846-0400 FAX (718) 846-7803

WWW.LITSCO.COM