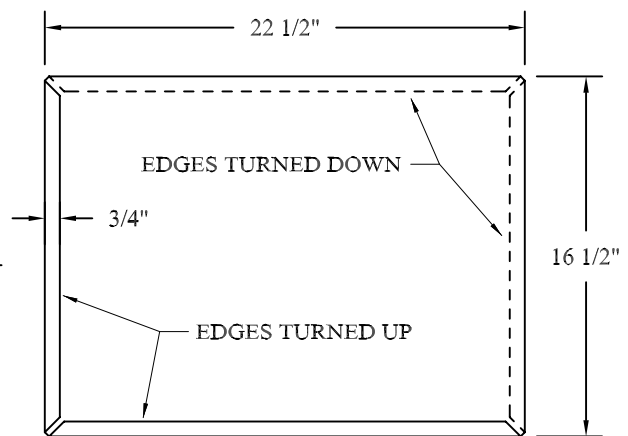
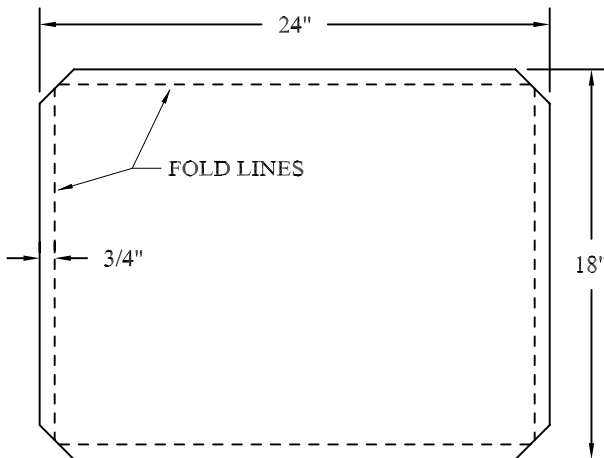
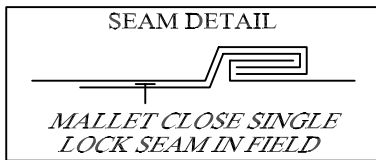
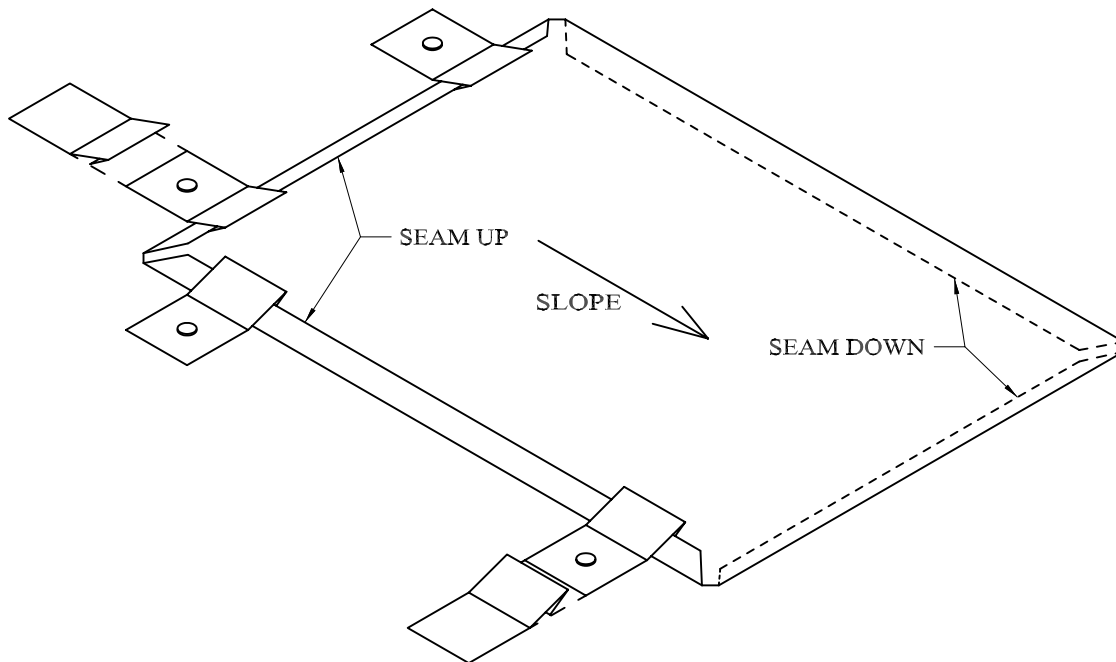


STANDARD LITSCO FLAT SEAM PANELS & CLIPS



MATERIAL AVAILABILITY:

- * 16 oz / 20 oz COLD ROLLED COPPER
- * 16 oz / 20 oz LEAD COATED COPPER
- * .015" (28 ga) / .018" (26 ga) / .025" (24 ga)
TYPE 304-2D STAINLESS STEEL UNPOLISHED
- * .015" (28 ga) / .018" (26 ga)
TERNE COATED STAINLESS STEEL
- * .8mm PRE-WEATHERED ZINC

LITSCO

LONG ISLAND TINSMITH SUPPLY CORP.

EST. 1918

76-11 88th STREET, GLENDALE, N.Y. 11385

(718) 846-0400 FAX (718) 846-7803

WWW.LITSCO.COM