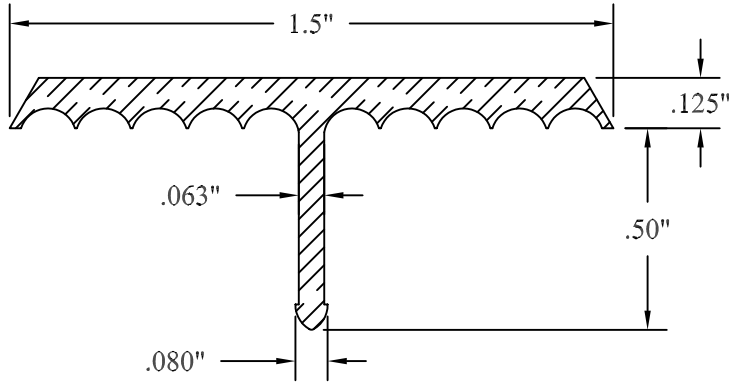


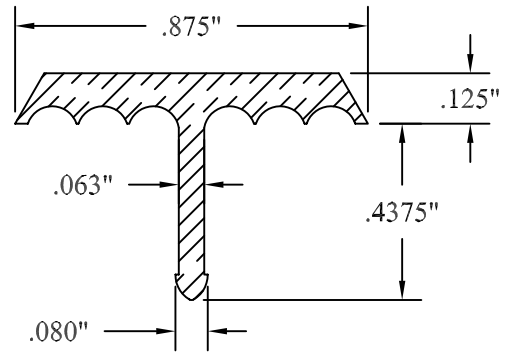
JOINT-TIGHT EXTRUDED LEAD "TEE"

**1 1/2" COPING STONE
JOINT COVER**



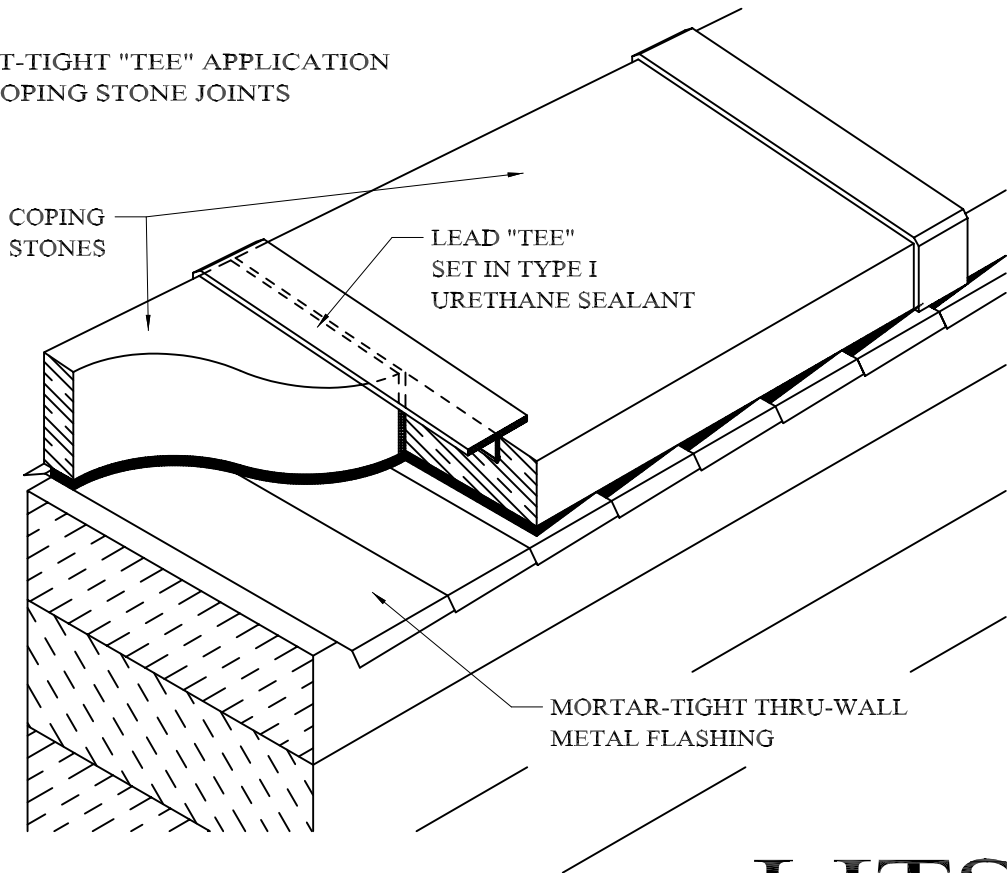
*ESTIMATED WT./FT.
= 1.10 LBS./FT.*

**7/8" COPING STONE
JOINT COVER**



*ESTIMATED WT./FT.
= .60 LBS./FT.*

**JOINT-TIGHT "TEE" APPLICATION
AT COPING STONE JOINTS**



SPECIFICATIONS:

- * AVAILABLE IN TWO SIZES (7/8", 1 1/2").
- * HIGH PURITY GRADE LEAD.
- * AVAILABLE IN 6 FOOT LENGTHS.
- * MEETS FEDERAL SPECIFICATION: QQ-L-171 GRADE B.

LITSCO

LONG ISLAND TINSMITH SUPPLY CORP.

EST. 1918

76-11 88th STREET, GLENDALE, N.Y. 11385

(718) 846-0400 FAX (718) 846-7803

WWW.LITSCO.COM