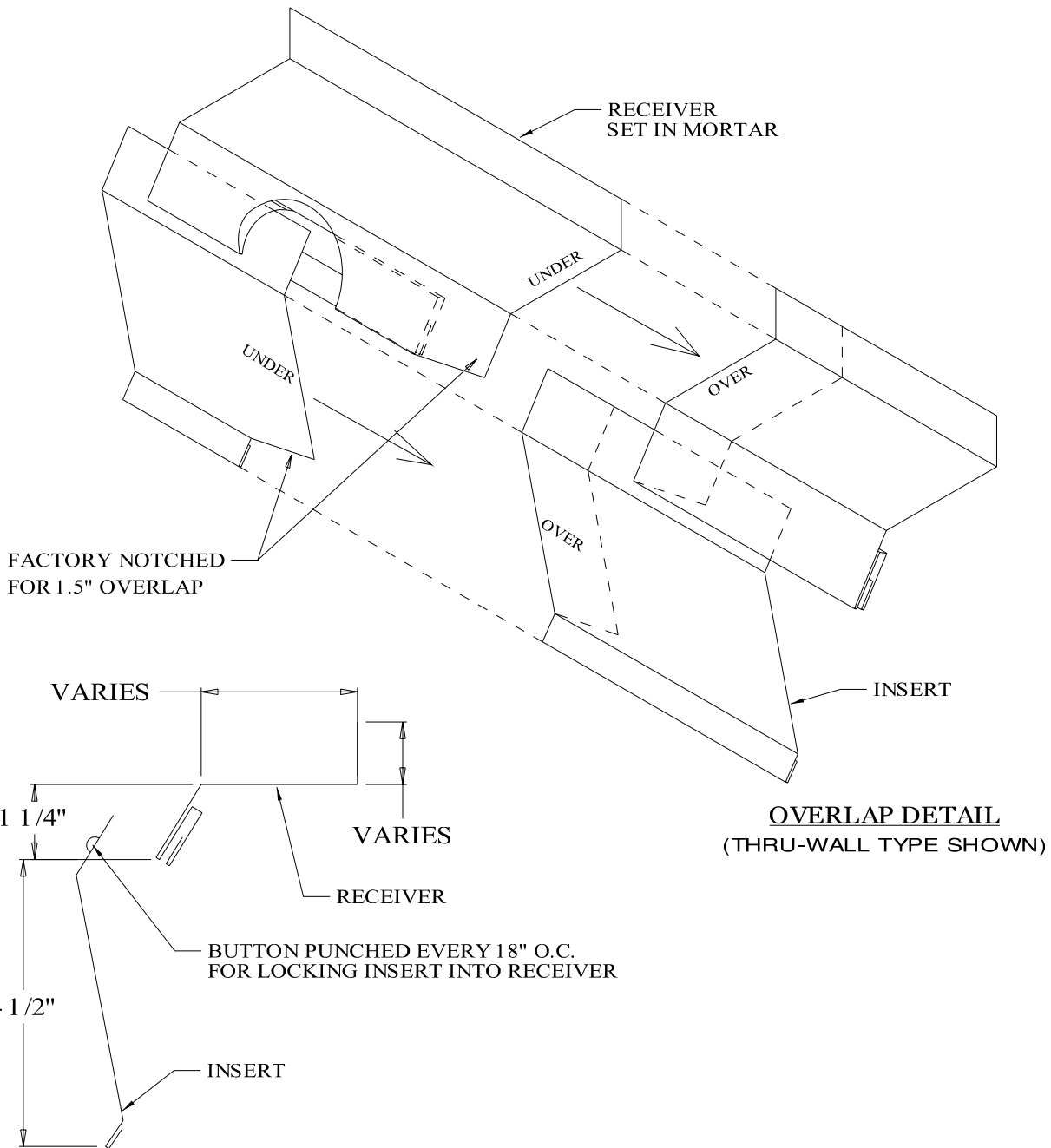


# LIT-LOK TWO-PIECE CAP FLASHINGS



## MATERIAL AVAILABILITY:

- \* .015" / .018" STAINLESS STEEL
- \* .032" / .040" MILL FINISH / PAINTED ALUMINUM
- \* 16 oz. / 20 oz. COLD ROLLED / LEAD COATED COPPER
- \* CRIMP-BOND AVAILABLE IN COPPER AND STAINLESS STEEL

## SPECIFICATIONS:

CAP FLASHINGS SHALL BE TWO-PIECE TYPE AS MANUFACTURED BY LITSCO OF GLENDALE, NY, FORMED OF (GAUGE / MATERIAL). RECEIVER MATERIAL MAY CONTAIN 1/16" HIGH CRIMP-BOND DEFORMATIONS. INSERT AND RECEIVER SHALL LOCK TOGETHER WITHOUT ADDITIONAL FASTENERS AND BE FORMED WITH INTEGRAL 1.5 INCH OVERLAPS 8 FEET O.C.

# LITSCO

LONG ISLAND TINSMITH SUPPLY CORP.

EST. 1918

76-11 88th STREET, GLENDALE, N.Y. 11385

(718) 846-0400 FAX (718) 846-7803

WWW.LITSCO.COM