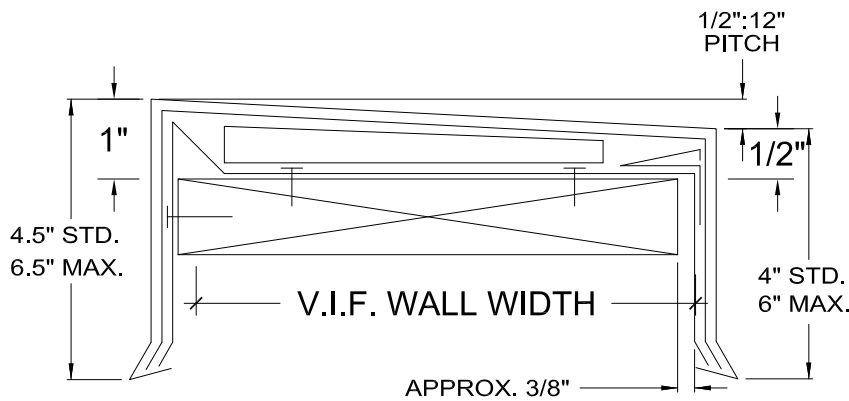
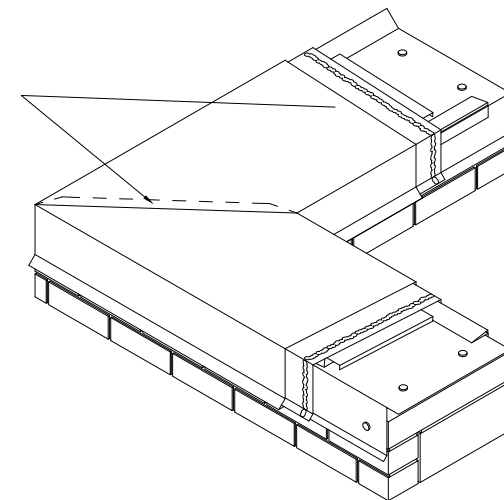


**LT-1** LOCK TIGHT COPING SECTION  
NTS



STANDARD CUT-TAB  
SEAM TO BE  
RIVETED AND  
CAULKED IN FIELD



**2** LOCK TIGHT COPING DETAIL  
NTS

**3** LOCK TIGHT COPING CORNER DETAIL  
NTS

Customer		Project / Location		Metal Description	
Date:		Scale:		Thickness / Type:	Notes:
				Color:	ALL QUANTITIES TO BE VERIFIED IN FIELD BY INSTALLING CONTRACTOR

No.	Revision / Issue	Date
-----	------------------	------

Drawn By: VLASY V.	PAGE #:
File: LITSCO/SUBMITTAL/METAL	