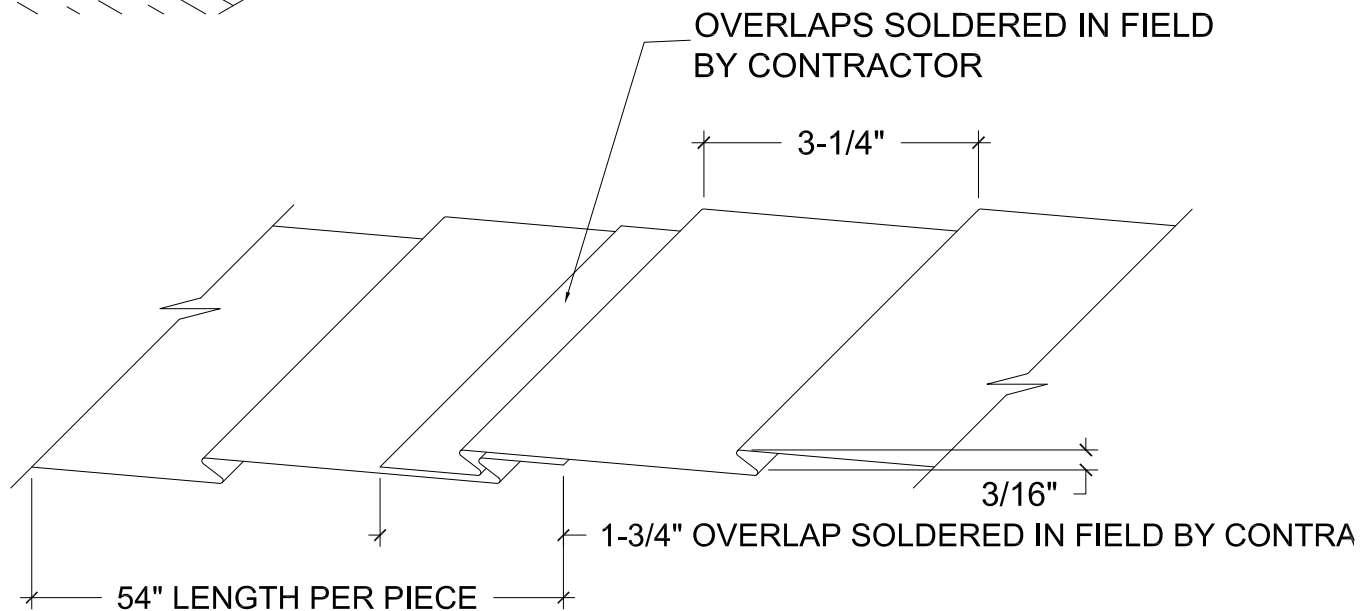


**MT-1 MORTARTIGHT SECTION**  
NTS



**2 MORTARTIGHT DETAIL**  
NTS

**LITSCO**  
LONG ISLAND TINSMITH SUPPLY CORP.  
EST. 1918  
76-11 88th STREET, GLENDALE, N.Y. 11385  
(718) 846-0400 FAX (718) 846-7803  
WWW.LITSCO.COM

Customer	
Date:	Scale:

Project / Location
--------------------

Metal Description	Notes:
Thickness / Type:	ALL QUANTITIES TO BE VERIFIED IN FIELD BY INSTALLING CONTRACTOR
Color:	

No.	Revision / Issue	Date
-----	------------------	------

Drawn By: VLASY V.	PAGE #:
File: LITSCO/SUBMITTAL/METAL	