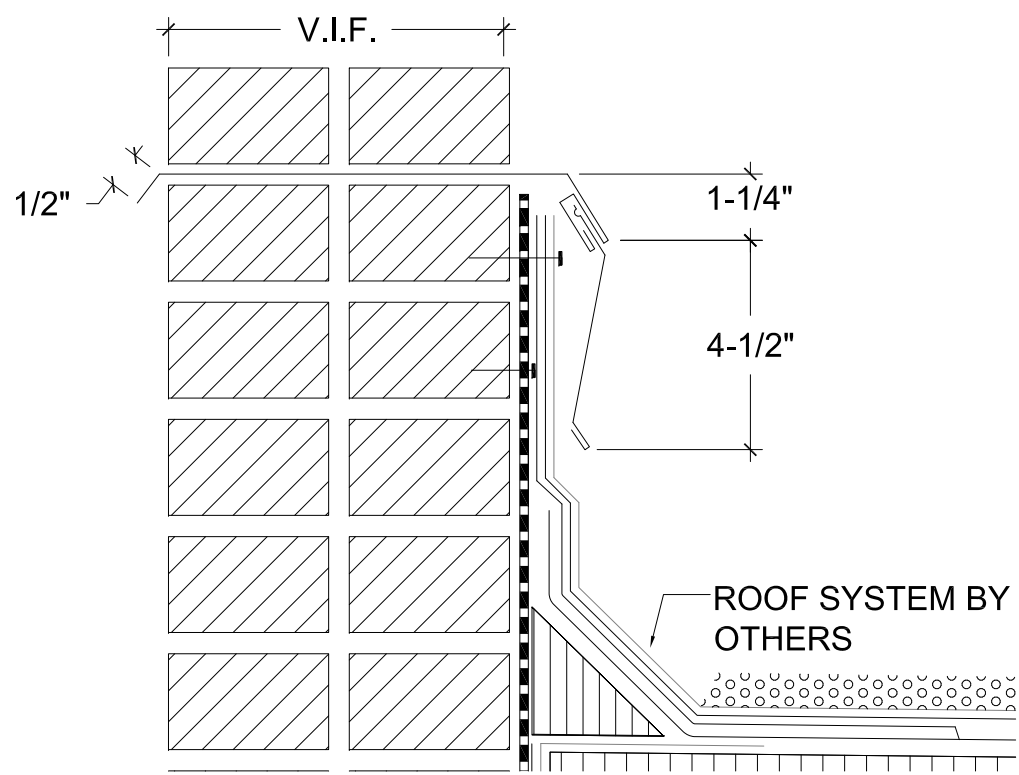
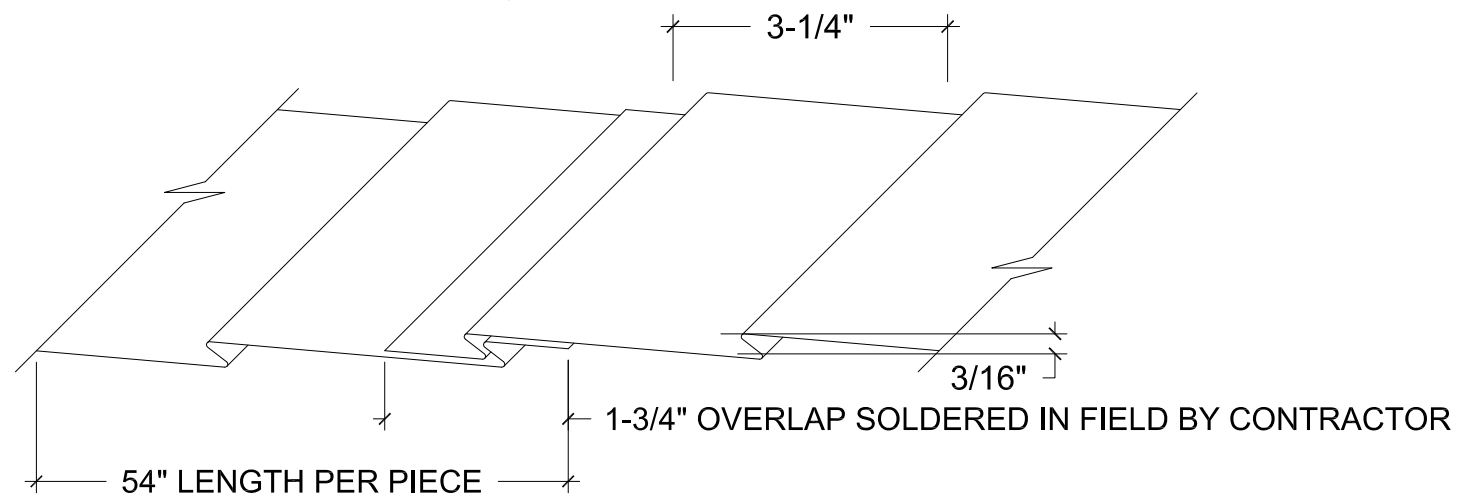



MT-1 MORTARTIGHT 2 PIECE SECTION
NTS



2 MORTARTIGHT 2 PIECE DETAIL
NTS



3 MORTARTIGHT DETAIL
NTS

LITSCO <small>LONG ISLAND TINSMITH SUPPLY CORP.</small>  EST. 1918 76-11 88th. STREET, GLENDALE, N.Y. 11385 (718) 846-0400 FAX (718) 846-7803 WWW.LITSCO.COM	Customer		Project / Location		Metal Description		Drawn By: _____ VLASY V.		PAGE #:		
	Date:	Scale:	Thickness / Type:	Notes: ALL QUANTITIES TO BE VERIFIED IN FIELD BY INSTALLING CONTRACTOR		No.	Revision / Issue	Date	File: LITSCO/SUBMITTAL/METAL		
		Color:									