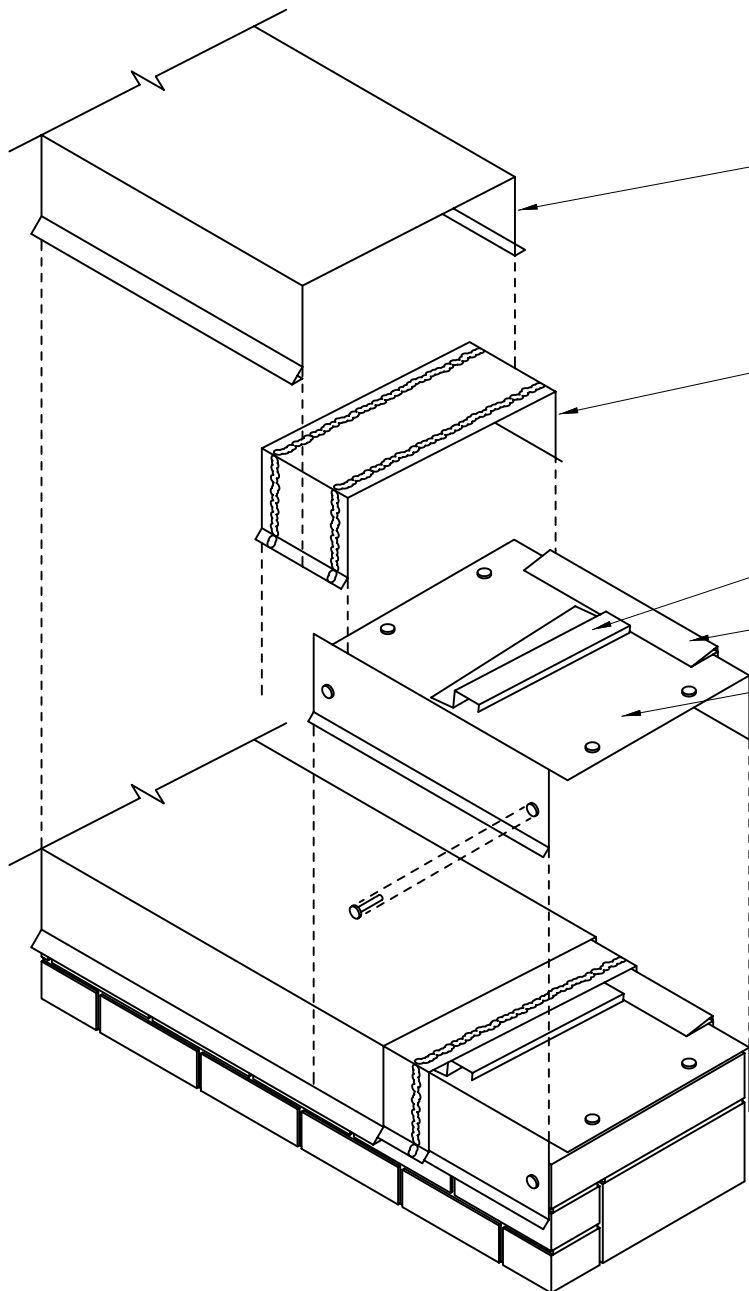


# STREAMLINE<sup>®</sup> LOCKTIGHT COPING SYSTEM



## COPING COVER

- \* FOR MATERIAL AVAILABILITY SEE LIST BELOW.
- \* FINISH PER SPECIFICATIONS.
- \* SNAP IN PLACE INSTALLATION.

## CONCEALED SPLICE PLATE

- \* 4" WIDE.
- \* INSTALLED AT ALL FIELD SEAMS.
- \* ALL SEAMS TO BE CAULKED WITH TYPE I URETHANE.

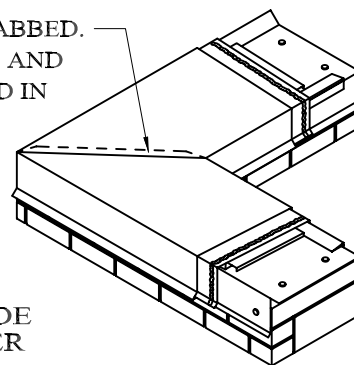
## INTEGRAL SUPPORT CHAIR

## INTEGRAL SPRING CLIP

## ANCHOR PLATE

- \* .063" ALUMINUM 12" WIDE.
- \* FASTENED 5 FEET O.C. INTO WOOD BLOCKING OR DIRECTLY INTO MASONRY.

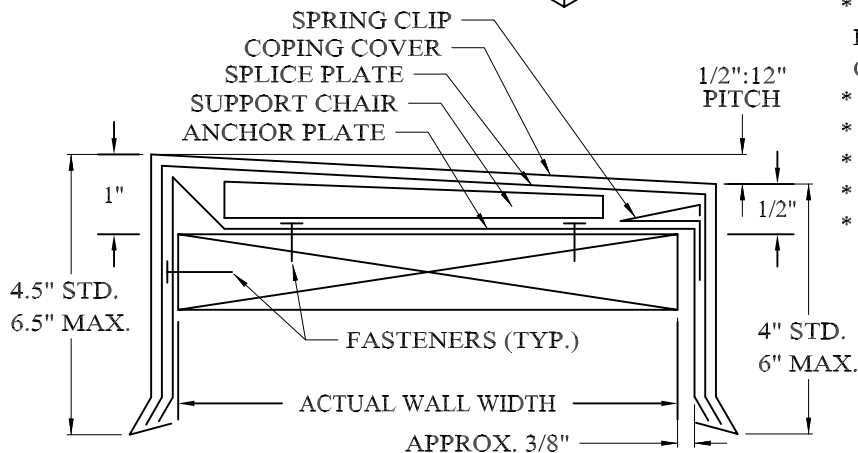
CUT & TABBED.  
RIVETED AND  
CAULKED IN  
FIELD.



OUTSIDE  
CORNER

## MATERIAL AVAILABILITY:

- \* .040" / .050" / .063" ALUMINUM
- KYNAR PAINTED / SP ENAMEL PAINTED
- CLEAR ANODIZED
- \* 16oz / 20oz COLD ROLLED COPPER
- \* 16oz / 20oz LEAD COATED COPPER
- \* 24ga / 26ga 304-2D STAINLESS STL.
- \* 24ga / 26ga TERNE CTD. STAINLESS
- \* .8mm PRE-WEATHERED ZINC



# LITSCO

LITSCO INDUSTRIES LLC

EST. 1918

76-11 88th STREET, GLENDALE, N.Y. 11385

(718) 846-0400 FAX (718) 846-7803

WWW.LITSCO.COM