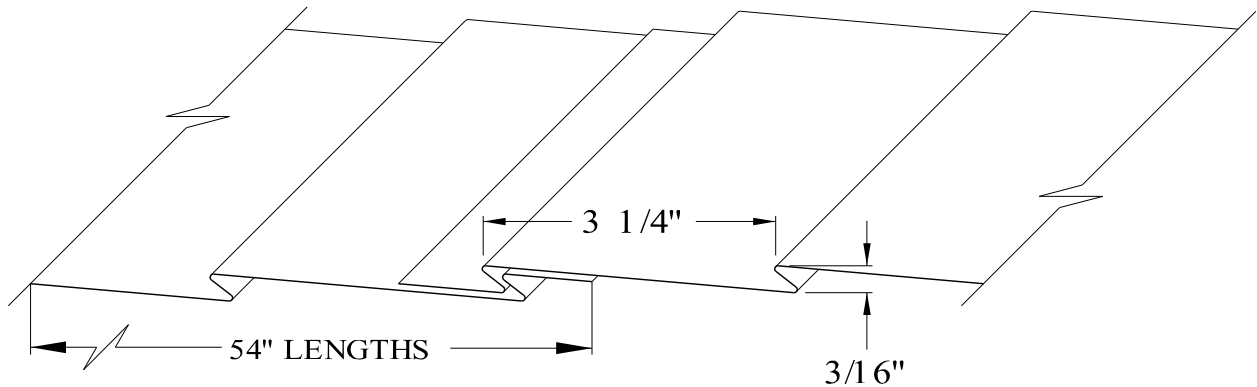


# MORTAR-TIGHT THRU-WALL FLASHINGS



APPLICATION:

THRU-WALL FLASHING UNDER PARAPET COPING, FOR COUNTERFLASHING IN MASONRY WALLS, SPANDREL BEAMS, AND ELSEWHERE.

ADVANTAGES:

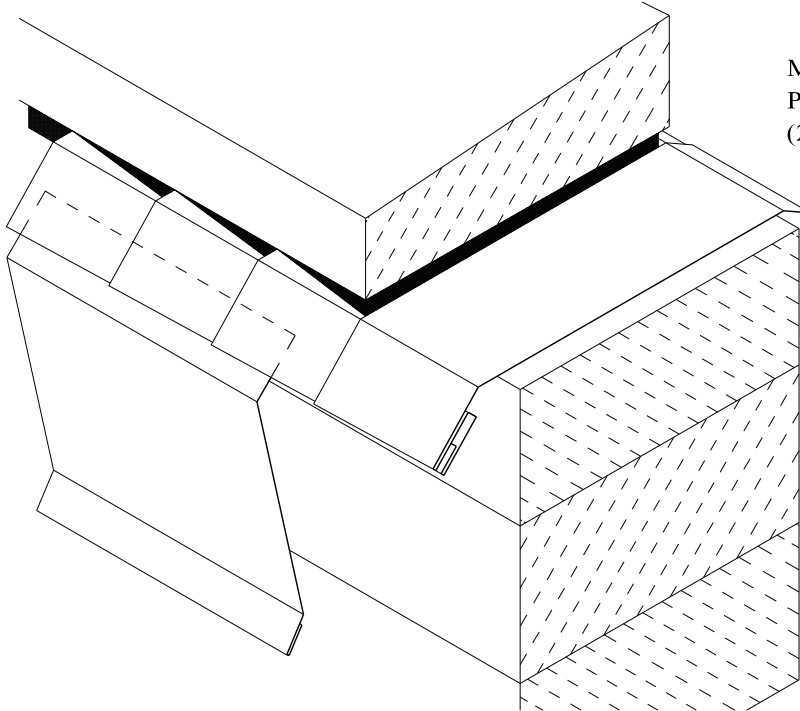
PROVIDES 3-WAY MECHANICAL BOND IN ALL DIRECTIONS IN THE MORTAR SETTING BED, INTERLOCKING SIDELAPS AND WEEP-HOLE DRAINAGE THAT CUTS OFF MOISTURE THAT CAN SEEP INTO MASONRY CONSTRUCTION OVER TIME.

MATERIAL AVAILABILITY:

- \* STAINLESS STEEL 304-2D: .015" (28 ga.) / .018" (26 ga.)
- \* COLD ROLLED COPPER: 16 oz. / 20 oz.
- \* LEAD COATED COPPER: 16 oz. / 20 oz.

PROFILE AVAILABILITY:

- \* CUSTOM FABRICATED THRU-WALL DESIGNS PER PROJECT REQUIREMENTS.
- \* LIT-LOK 2-PIECE RECEIVER WITH SNAP-IN COUNTERFLASHING INSERT.



MORTAR-TIGHT IN THRU-WALL  
PARAPET APPLICATION  
(2-PIECE CAP FLASHING DESIGN)

MORTAR-TIGHT RECEIVERS  
TO OVERLAP 1 3/4" AND THE  
INSERTS TO OVERLAP 4".

## LITSCO

LONG ISLAND TINSMITH SUPPLY CORP.

EST. 1918

76-11 88th STREET, GLENDALE, N.Y. 11385

(718) 846-0400 FAX (718) 846-7803

WWW.LITSCO.COM