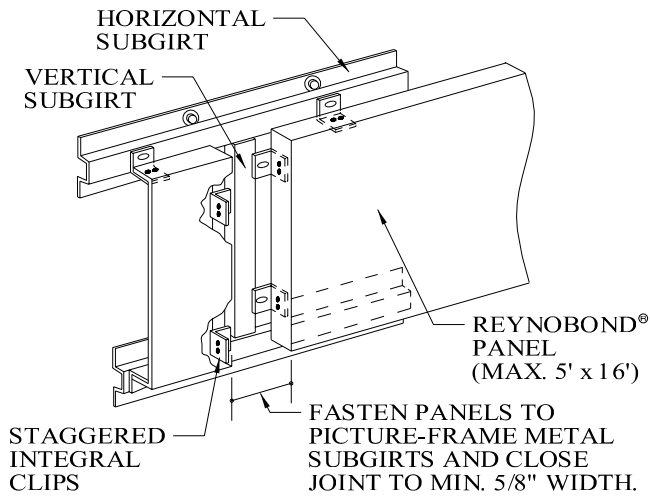
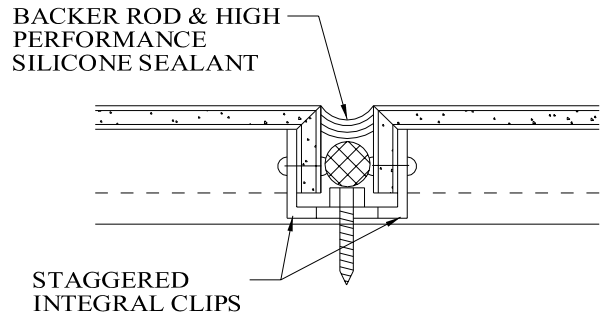


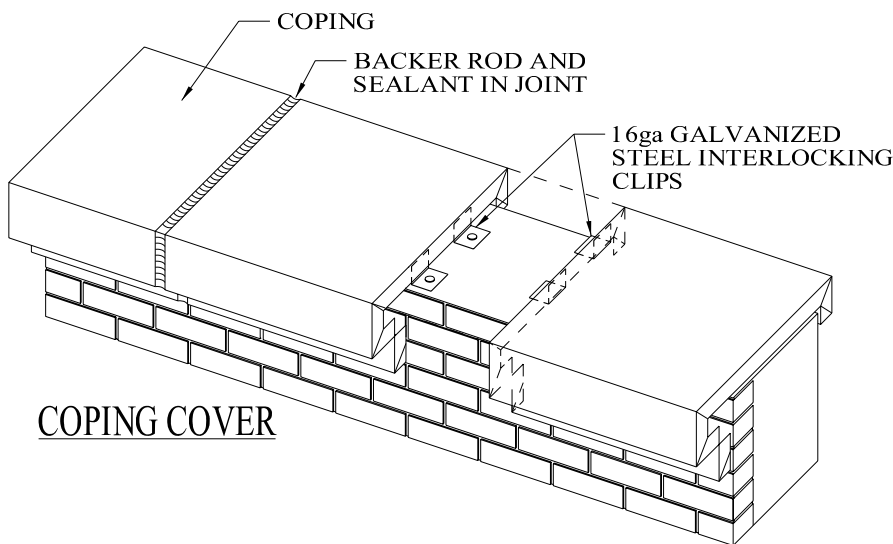
STREAMLINE® ALUMINUM COMPOSITE (ACM) PANELS featuring ALCOA REYNOBOND®



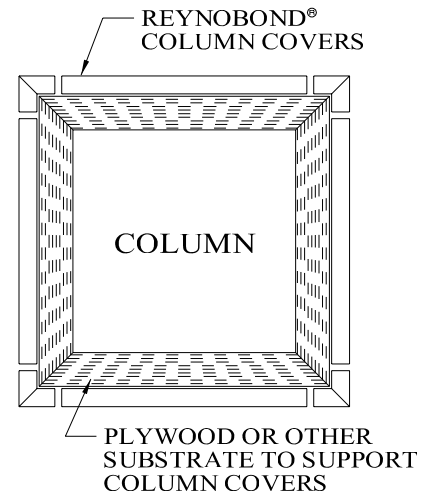
PANEL JOINT (WITH SUBGIRT SYSTEM)



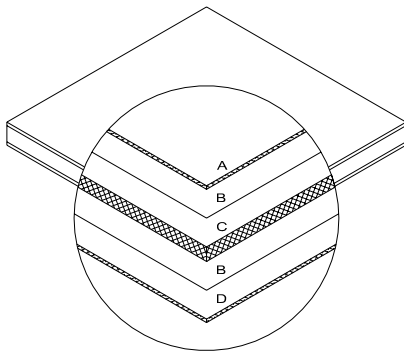
FINISHED ROUT AND RETURN JOINT DETAIL



COPING COVER



COLUMN SECTION



- A - Kynar finished .020" (.50mm) aluminum or zinc exterior skin
- B - Tie layer between aluminum skins and core material
- C - Polyethylene (PE) or solid thermoplastic compound (fire resistant) (FR) core
- D - Finished aluminum or zinc interior skin

Total panel thickness: 4mm

APPLICATIONS:

- * CUSTOM PARAPET COPINGS, EXTERIOR CLADDING, COLUMN COVERS, CANOPIES AND ELSEWHERE.
- * CUSTOM FACADE PANELS UP TO 5' x 16' IN SIZE.

ADVANTAGES:

- * STRONG, SMOOTH, FLAT, AND LIGHTWEIGHT.
- * SUPERIOR FLATNESS FOR SMOOTH, MONOLITHIC SURFACES WHICH VIRTUALLY ELIMINATES OIL CANNING.
- * SUPERIOR STRENGTH IS IDEAL FOR ARCHITECTURAL APPLICATIONS AND PROVIDES AN EXCEPTIONAL LOAD BEARING CAPACITY AND STRENGTH-TO-WEIGHT RATIO.

LITSCO

LONG ISLAND TINSMITH SUPPLY CORP.

EST. 1918
76-11 88th STREET, GLENDALE, N.Y. 11385

(718) 846-0400 FAX (718) 846-7803

WWW.LITSCO.COM