

STREAMLINE[®] METAL PANEL WATERPROOFING SYSTEM

(STANDARD COPING SHOWN)

COPING INSTALLATION

COPING (SEE NOTE)

- * GAUGE AND FINISH PER SPECIFICATIONS.
- * ALL SEAMS TO BE CAULKED WITH TYPE I URETHANE.

CONCEALED SPLICE PLATE

CONTINUOUS CLEAT

NOTE:
SEE SEPARATE SPECIFICATION
SHEET FOR ALTERNATE LOCKTIGHT
SNAP-ON COPING INSTALLATION.

1/4" DIAMETER MASONRY
ANCHORS STAGGERED
12" ON CENTER.

#12-410 PAINTED STAINLESS STEEL, SELF-DRILLING,
TOPSEAL PANEL FASTENER INSTALLED TO SUBGIRT
12" ON CENTER.

STREAMLINE[®] PANEL INSTALLATION

STREAMLINE[®] PANEL

- * GAUGE AND FINISH PER SPECIFICATIONS.

SUBGIRT

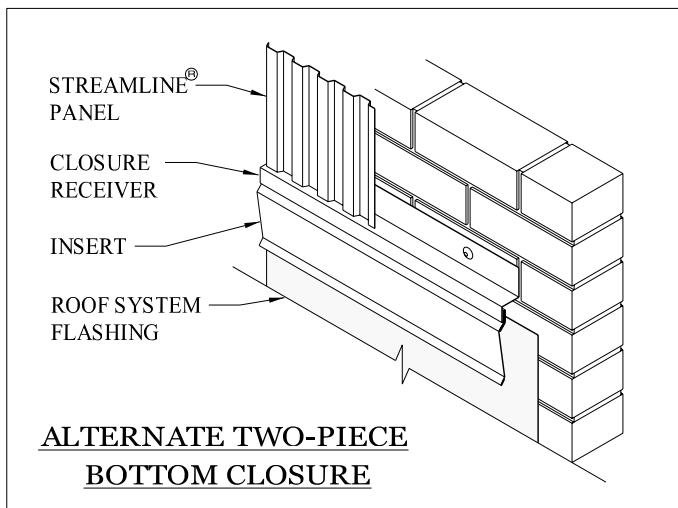
- * 18 / 20 GAUGE GALVANIZED STEEL.
- * INSTALLED HORIZONTALLY 30" ON CENTER MAXIMUM.

BOTTOM CLOSURE

- * FINISH TO MATCH STREAMLINE PANEL.

1/4" DIAM. MASONRY
ANCHORS STAGGERED
12" ON CENTER.

(SEE ALTERNATE TWO-PIECE DESIGN)



ALTERNATE TWO-PIECE BOTTOM CLOSURE

FOR MORE INFORMATION SEE
SEPARATE SPECIFICATION SHEET
FOR TWO-PIECE CAP FLASHING.

LITSCO

LONG ISLAND TINSMITH SUPPLY CORP.

EST. 1918

76-11 88th STREET, GLENDALE, N.Y. 11385

(718) 846-0400 FAX (718) 846-7803

WWW.LITSCO.COM