

STREAMLINE[®] METAL PANEL WATERPROOFING SYSTEM

(STANDARD COPING SHOWN)

COPING INSTALLATION

COPING (SEE NOTE)

- * GAUGE AND FINISH PER SPECIFICATIONS.
- * ALL SEAMS TO BE CAULKED WITH TYPE I URETHANE.

CONCEALED SPLICE PLATE

CONTINUOUS CLEAT

*NOTE:
SEE SEPARATE SPECIFICATION SHEET FOR ALTERNATE LOCKTIGHT SNAP-ON COPING INSTALLATION.*

1/4" DIAMETER MASONRY ANCHORS STAGGERED 12" ON CENTER.

#12-410 PAINTED STAINLESS STEEL, SELF-DRILLING, TOPSEAL PANEL FASTENER INSTALLED TO SUBGIRT 12" ON CENTER.

STREAMLINE[®] PANEL INSTALLATION

STREAMLINE[®] PANEL

- * GAUGE AND FINISH PER SPECIFICATIONS.

SUBGIRT

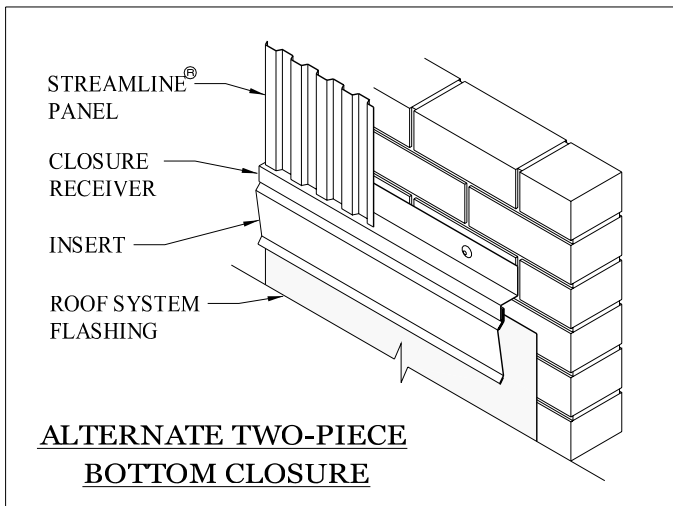
- * 18 / 20 GAUGE GALVANIZED STEEL.
- * INSTALLED HORIZONTALLY 30" ON CENTER MAXIMUM.

BOTTOM CLOSURE

- * FINISH TO MATCH STREAMLINE PANEL.

1/4" DIAM. MASONRY ANCHORS STAGGERED 12" ON CENTER.

(SEE ALTERNATE TWO-PIECE DESIGN)



FOR MORE INFORMATION SEE SEPARATE SPECIFICATION SHEET FOR TWO-PIECE CAP FLASHING.

LITSCO

LONG ISLAND TINSMITH SUPPLY CORP.

EST. 1918

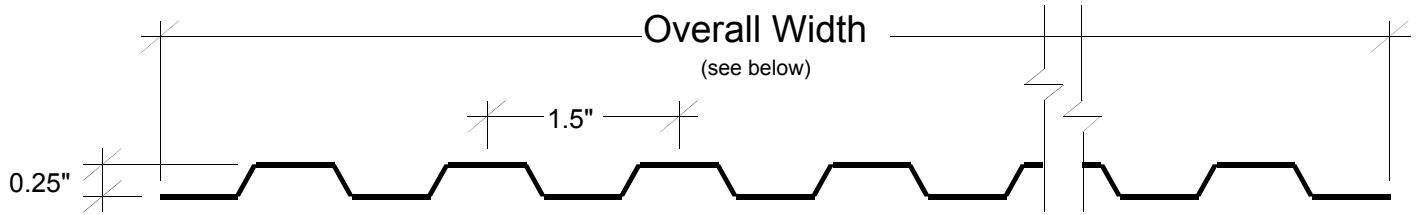
76-11 88th STREET, GLENDALE, N.Y. 11385

(718) 846-0400 FAX (718) 846-7803

WWW.LITSCO.COM

TECHNICAL DATA SHEET

Streamline Panel



PROFILE DIMENSIONS

	Overall Width	Coverage Width	Rib Pitch	Profile Depth	Panel Length
Aluminum	44.625"	43.125"	1.5"	0.25"	12" - 144"
Copper	33.75"	32.25"	1.5"	0.25"	12" - 144"
Zinc	36"	34.5"	1.5"	0.25"	12" - 144"

LOAD SPAN TABLE

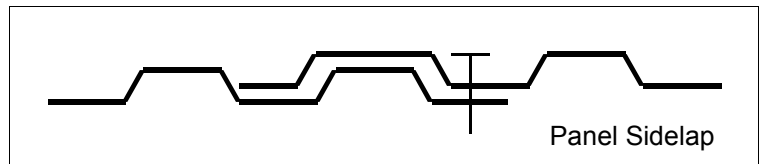
STREAMLINE	NO. SPANS	LOAD (PSF)			
		15	20	25	30
Siding Allowable Span					
.032" Aluminum	1	2' - 5"	2' - 2"	2' - 0"	1' - 11"
	2 & 3	3' - 1"	2' - 10"	2' - 8"	2' - 6"
.040" Aluminum	1	2' - 7"	2' - 4"	2' - 2"	2' - 1"
	2 & 3	3' - 4"	3' - 1"	2' - 10"	2' - 8"
16 oz. Copper	1	2' - 8"	2' - 5"	2' - 3"	2' - 1"
	2 & 3	3' - 6"	3' - 2"	2' - 11"	2' - 9"
.8 mm Zinc	1	2' - 7"	2' - 4"	2' - 2"	2' - 0"
	2 & 3	3' - 4"	3' - 0"	2' - 10"	2' - 8"

NOTE:
Maximum allowable deflection equals: Span divided by 60.

INSTALLATION AND FASTENING GUIDELINES

Fastening Patterns for 20 psf loading:

Panel field: 10.5" o.c.
Panel side laps: 16" o.c.



MATERIAL SPECIFICATIONS

Aluminum

Alloy 3003 in compliance with the Aluminum Association Composition Specifications and conforming to ASTM B209-96. Available smooth or stucco embossed. See separate specifications for available finishes.

Copper

Sheets shall conform to ASTM specifications B370 or Federal Specification QQ-C-576.

Zinc

Sheets with pre-patina finish composed of copper-titanium zinc complying with standards NFA55-201 and BS6561A.

LITSCO

LONG ISLAND TINSMITH SUPPLY CORP.

EST. 1918

76-11 88th STREET, GLENDALE, N.Y. 11385

(718) 846-0400 FAX (718) 846-7803

WWW.LITSCO.COM